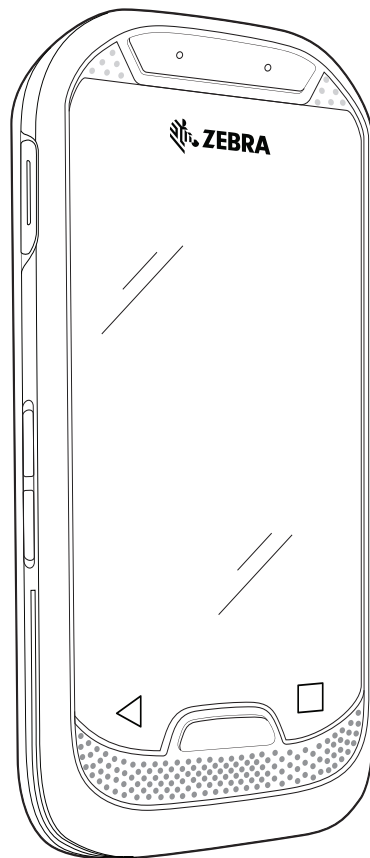


EC30

Enterprise Companion



Quick Start Guide



ZEBRA

Copyright

ZEBRA and the stylized Zebra head are trademarks of Zebra Technologies Corporation, registered in many jurisdictions worldwide. Google, Android, Google Play and other marks are trademarks of Google LLC; Oreo is a trademark of Mondelez International, Inc. group. All other trademarks are the property of their respective owners. ©2019 Zebra Technologies Corporation and/or its affiliates. All rights reserved.

COPYRIGHTS & TRADEMARKS: For complete copyright and trademark information, go to www.zebra.com/copyright.

WARRANTY: For complete warranty information, go to www.zebra.com/warranty.

END USER LICENSE AGREEMENT: For complete EULA information, go to www.zebra.com/eula.

Terms of Use

- Proprietary Statement

This manual contains proprietary information of Zebra Technologies Corporation and its subsidiaries (“Zebra Technologies”). It is intended solely for the information and use of parties operating and maintaining the equipment described herein. Such proprietary information may not be used, reproduced, or disclosed to any other parties for any other purpose without the express, written permission of Zebra Technologies.

- Product Improvements

Continuous improvement of products is a policy of Zebra Technologies. All specifications and designs are subject to change without notice.

- Liability Disclaimer

Zebra Technologies takes steps to ensure that its published Engineering specifications and manuals are correct; however, errors do occur. Zebra Technologies reserves the right to correct any such errors and disclaims liability resulting therefrom.

- Limitation of Liability

In no event shall Zebra Technologies or anyone else involved in the creation, production, or delivery of the accompanying product (including hardware and software) be liable for any damages whatsoever (including, without limitation, consequential damages including loss of business profits, business interruption, or loss of business information) arising out of the use of, the results of use of, or inability to use such product, even if Zebra Technologies has been advised of the possibility of such damages. Some jurisdictions do not allow the exclusion or limitation of incidental or consequential damages, so the above limitation or exclusion may not apply to you.

Features

Figure 1 Front View

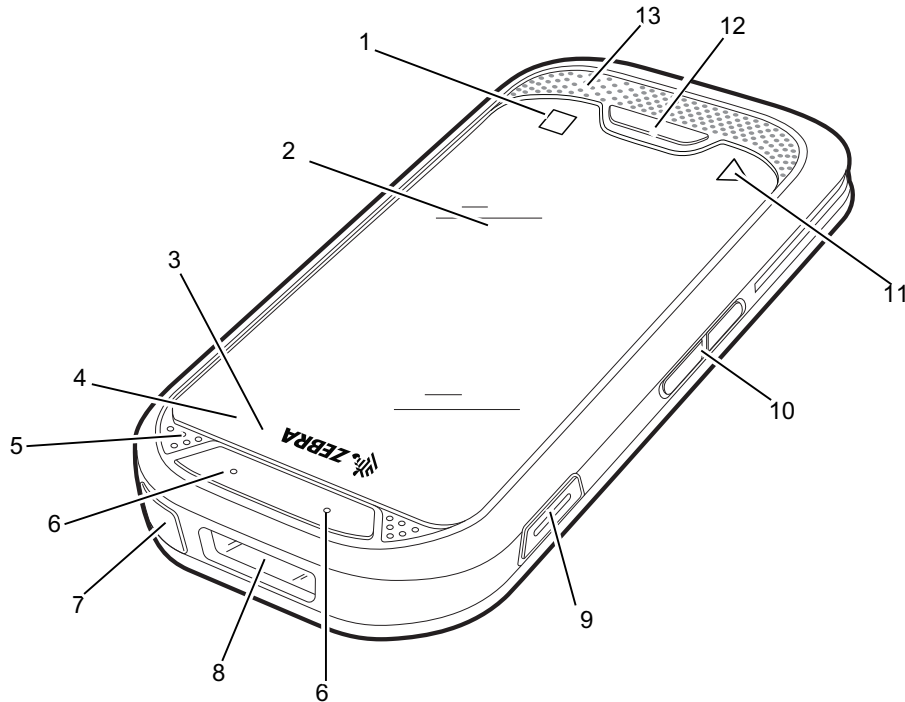


Table 1 Front View Features

Number	Item	Function
1	Recent	Displays recently used applications (programmable).
2	Touch Screen	Displays all information needed to operate the device.
3	Data Capture LED	Indicates data capture status.
4	Charging/Notification LED	Indicates battery charging status while charging and application generated notifications.
5	Microphone	Use for communications in Speakerphone mode.
6	Scan Button	Initiates data capture (programmable).
7	Power Button	Turns the display on and off. Press and hold to reset the device or power off.
8	Exit Window	Provides data capture using the imager.
9	PTT Button	Initiates push-to-talk communications (programmable).
10	Volume Up/Down Button	Increase and decrease audio volume (programmable).
11	Back	Displays the previous screen (programmable).
12	Home Button	Displays the Home screen (programmable).
13	Speaker	Provides audio output for video and music playback. Provides audio in speakerphone mode.

Figure 2 Rear View

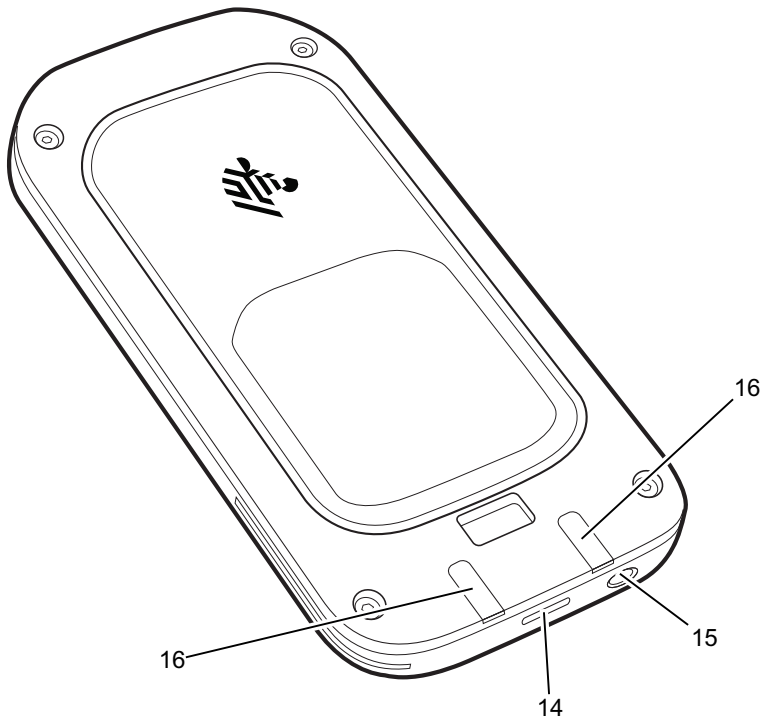


Table 2 Back View Features

Number	Item	Function
14	USB-C Connector	Provides USB host and client communications, device charging via cables and accessories.
15	3.5 mm Headset Jack	For audio output to headset (CTIA standard).
16	Cradle Charging Contacts	Provides device charging via cradles and accessories.

Setup

To start using the device for the first time charge the device to at least 30% capacity.



NOTE: When the device is shipped from the factory, it is placed into Ship Mode, where the device enters its lowest possible power state. The device exits Ship Mode by docking it in a powered cradle or attaching a powered USB cable.

Charging the Device



IMPORTANT: Do not store the device for extended periods of time as the battery may drain completely and become unrecoverable.

Use one of the following accessories to charge the EC30.

Table 3 Charging Accessories

Description	Part Number
Cradles	
2-Slot Charge Only Cradle	CRD-EC30-2SCHG1-01
10-Slot Charge Only Cradle	CRD-EC30-10SC1-01
10-Slot Charge Only Locking Cradle	CRD-EC30-10SLC1-01
Charge and Communication Cables	
USB-C Charging Cable 1.5 m (4.92 ft)	CBL-TC2X-USBC-01
USB-C Charging Cable 1 m (3.28 ft)	CBL-TC5X-USBC2A-01



NOTE: Ensure that you follow the guidelines for battery safety described in the EC30 Integrator Guide.

To charge the battery:

1. Connect the charging accessory to the appropriate power source.
2. Insert the device into a cradle or attach to a cable. The device turns on and begins charging. The Charging/Notification LED blinks amber while charging, then turns solid green when fully charged.

Charging Temperature

Charge batteries in temperatures from 0°C to 40°C (32°F to 104°F). The device or accessory always performs battery charging in a safe and intelligent manner. At higher temperatures (e.g. approximately +37°C (+98°F)) the device or accessory may for small periods of time alternately enable and disable battery charging to keep the battery at acceptable temperatures. The device or accessory indicates when charging is disabled due to abnormal temperatures via its LED and a notification appears on the display.

Charging Indicators

Table 4 Charging LED Status Indicators

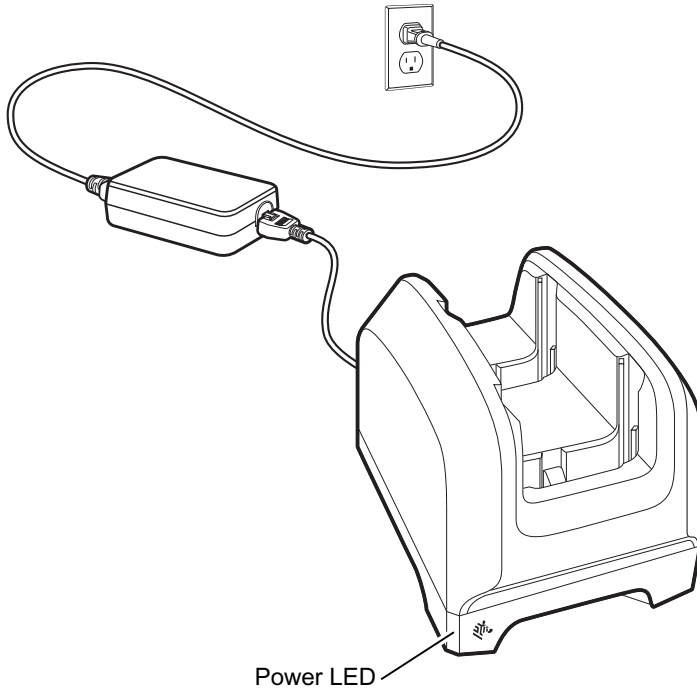
State	Indication
Off	Device is not charging. Device is not inserted correctly in the cradle or connected to a power source. Charger/cradle is not powered.
Slow Blinking Amber (1 blink every 4 seconds)	Device is charging.
Slow Blinking Red (1 blink every 4 seconds)	Device is charging but the battery is at end of useful life.
Solid Green	Charging complete.
Solid Red	Charging complete but the battery is at end of useful life.
Fast Blinking Amber (2 blinks/second)	Charging error, e.g.: <ul style="list-style-type: none"> • Temperature is too low or too high. • Charging has gone on too long without completion (typically eight hours).
Fast Blinking Red (2 blinks/second)	Charging error but the battery is at end of useful life., e.g.: <ul style="list-style-type: none"> • Temperature is too low or too high. • Charging has gone on too long without completion (typically eight hours).

2-Slot Charge Only Cradle

The 2-Slot Charge Only Cradle:

- Provides 5 VDC power for operating the cradle.
- Simultaneously charges up to two devices.

Figure 3 2-Slot Charge Only Cradle

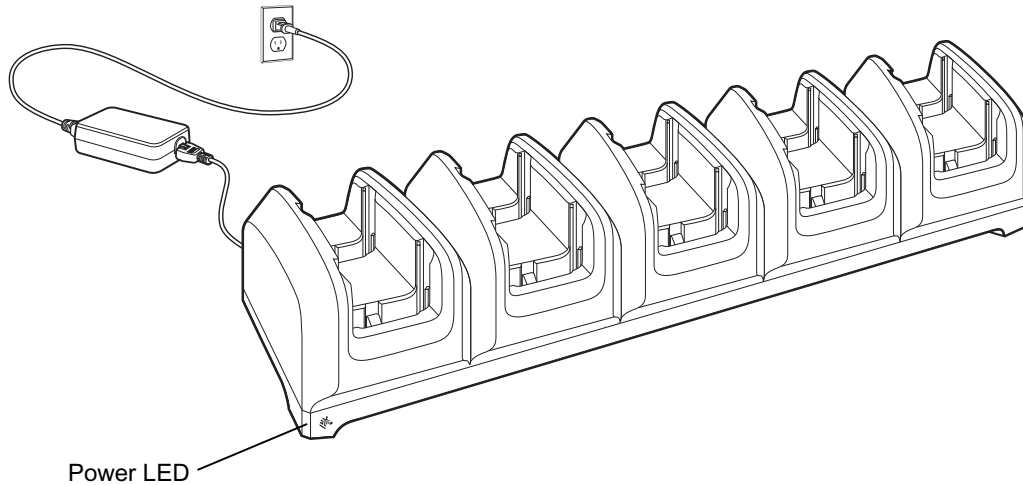


10-Slot Charge Only Cradle

The 10-Slot Charge Only Cradle:

- Provides 5 VDC power for operating the cradle.
- Simultaneously charges up to ten devices.

Figure 4 10-Slot Charge Only Cradle

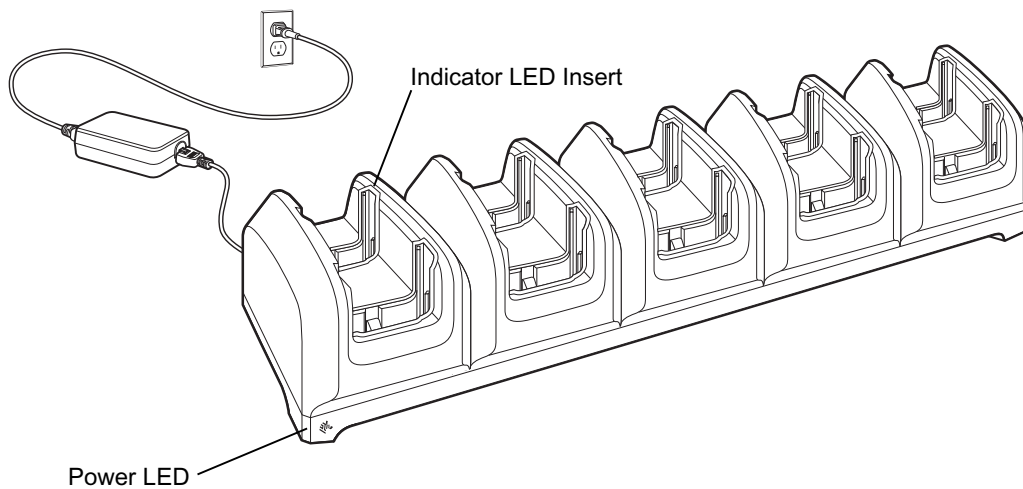


10-Slot Locking Charge Only Cradle

The 10-Slot Locking Charge Only Cradle:

- Provides 5 VDC for operating the cradle.
- Simultaneously charges up to ten devices.
- Each slot contains an Indicator LED Insert with RGB LEDs.

Figure 5 10-Slot Locking Charge Only Cradle



USB-C Charging Cable

To charge the device using a USB-C charging cable:

1. Connect the charging accessory to the appropriate power source.
2. Attached the cable to the device. The device turns on and begins charging. The Charging/Notification LED blinks amber while charging, then turns solid green when fully charged.

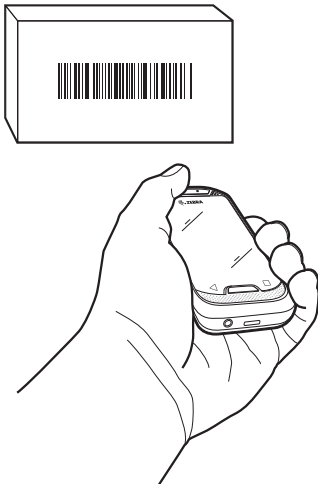
Scanning with Internal Imager

To read a barcode, a scan-enabled app is required. The device contains the DataWedge app that allows the user to enable the imager, decode the barcode data, and display the barcode content.

To scan with the internal imager:

1. Ensure that an app is open on the device and a text field is in focus (text cursor in text field).
2. Point the exit window on the top of the device at a barcode.

Figure 6 Imager Scanning



3. Press and hold the scan button. The white aiming pattern turns on to assist in aiming.



NOTE: When the device is in Picklist mode, the imager does not decode the barcode until the crosshair on the device display overlays the barcode.

4. Ensure the barcode is within the area formed by aiming pattern.

Figure 7 Aiming Pattern



5. The Data Capture LED lights green and a beep sounds, by default, to indicate the barcode was decoded successfully.
6. Release the scan button.



NOTE: Imager decoding usually occurs instantaneously. The device repeats the steps required to take a digital picture (image) of a poor or difficult barcode as long as the scan button remains pressed.

7. The barcode content data displays in the text field.

